

Materials List For Folding Board

24' 1X2

1/2 Sheet 1/4" plywood (nice)

2- 2x4x5" blocks

2- 1x2x6" blocks

1- 5x5x1/4" plywood

2- 1 1/2x8" piano hinges (replace screws with 1"x #4 wood screws)

1- 1/2" conduit (39 1/2")

1- 1/2" conduit (36 1/2")

2- 1/2" conduit (34")

3- rubber boots for conduit legs

1- 1x1x3/16x4" Aluminum U

1- 1x1x3/16x1" Aluminum U

2- 1/2" rigid couplings

2- 1/2" compression connectors

1- 1/4x3" eye bolt with wing nut

1- 2 1/2" latching hasp

1- 3/8" hitch pin clip

1- 16"x5/8" nylon rope handle

5- #10-24 T nuts

4- #10-24x1 1/4" machine screw with lock nuts

2- #10-24x1" machine screw with lock nuts

1- #10-24x3/4" machine screw

2- 1" diameter washers

2- 1 5/8" self tap screws

1- tube thread-locker (red)

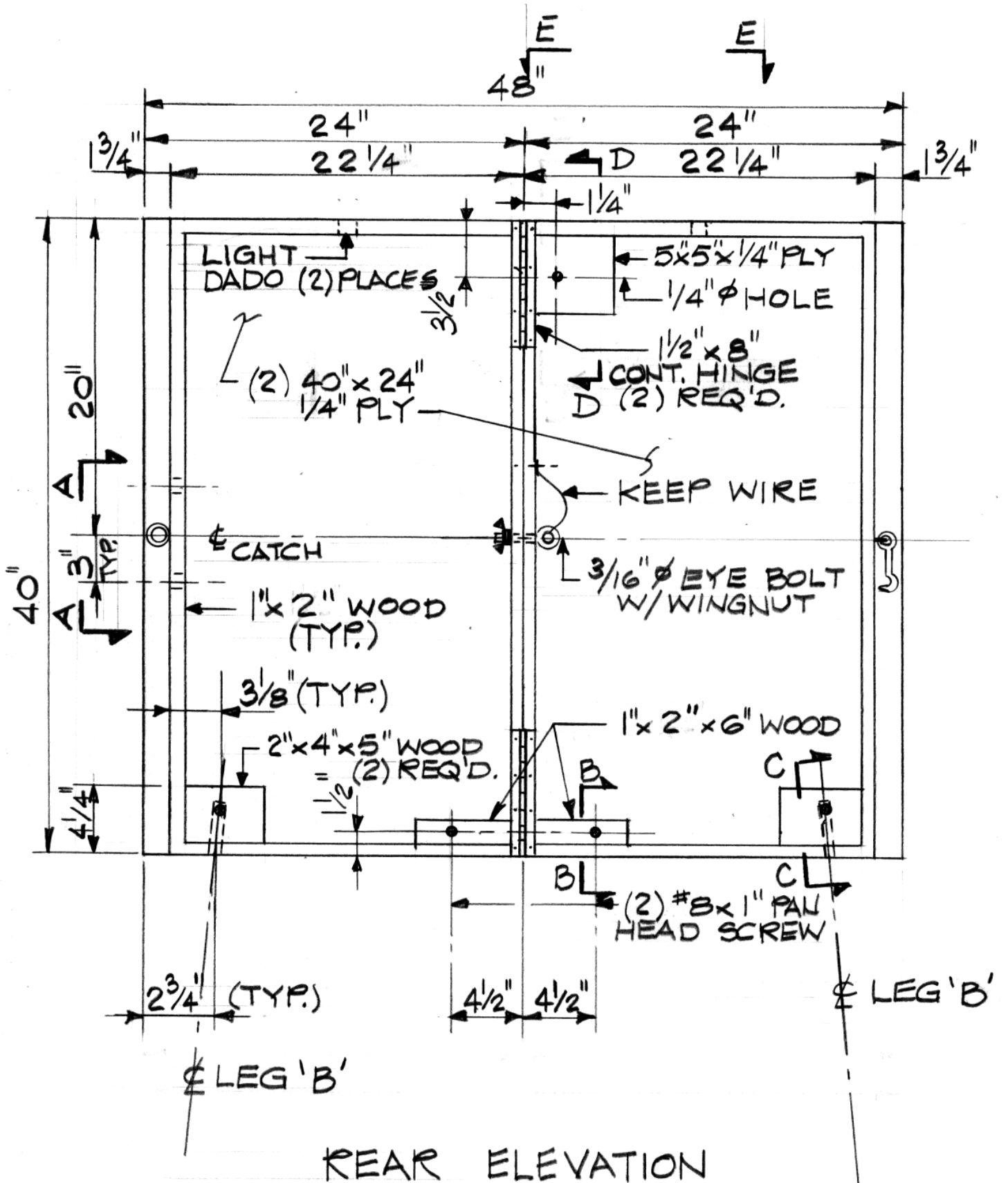
2- 6" jack chain

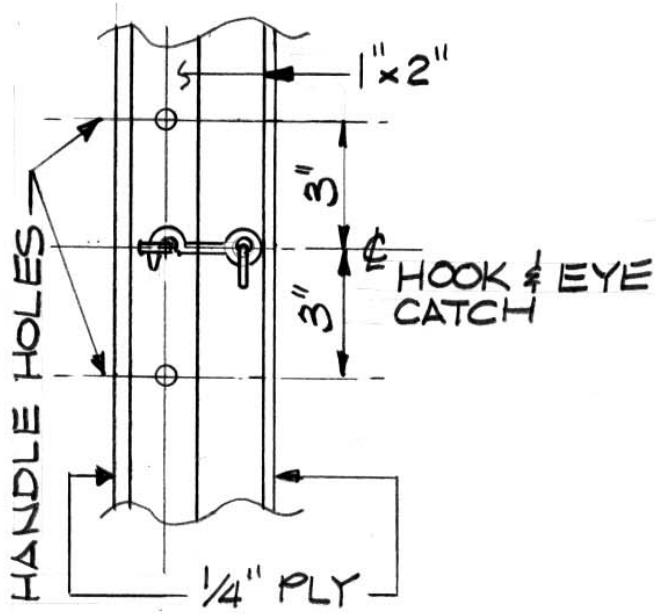
1- Key ring

1- tube construction adhesive

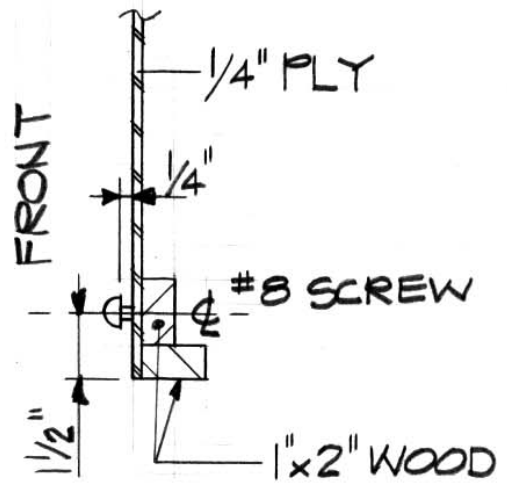
1- tube wood glue

FOLDING SKETCH BOARD

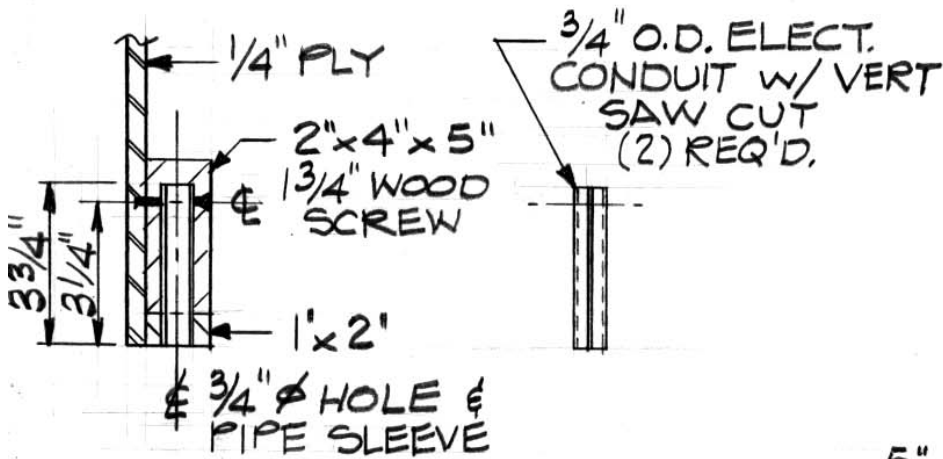




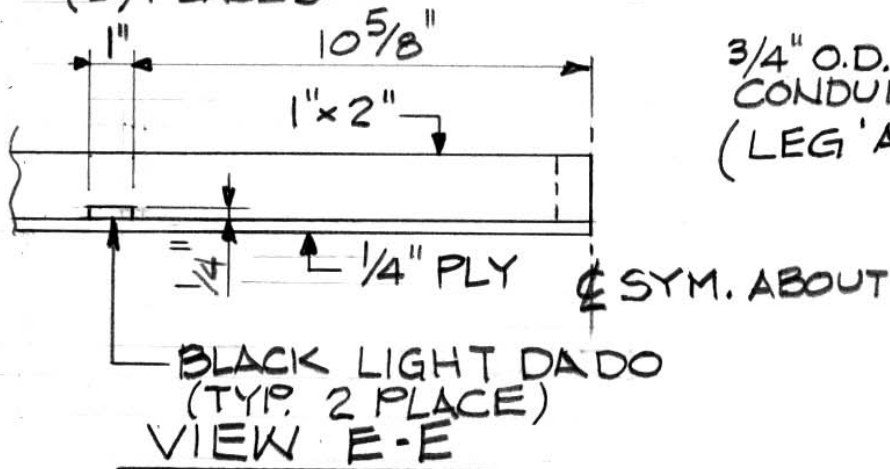
ROPE HANDLE HOLES
VIEW A-A



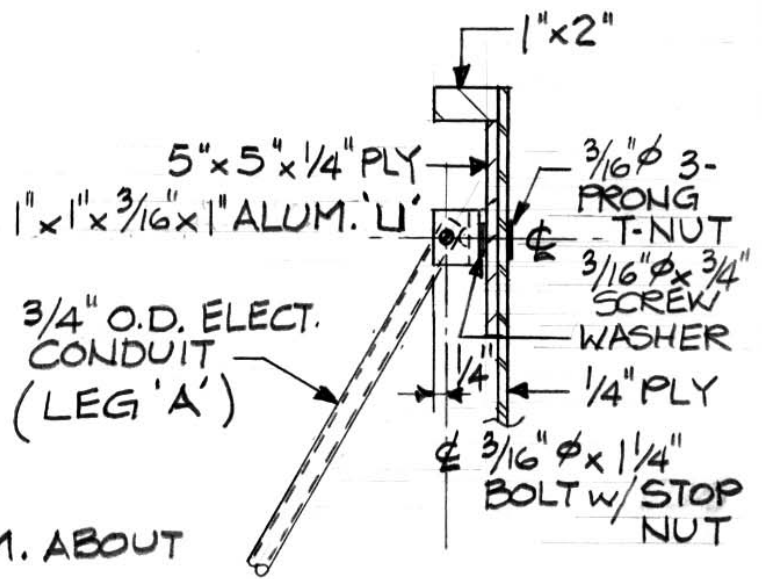
SECTION B-B



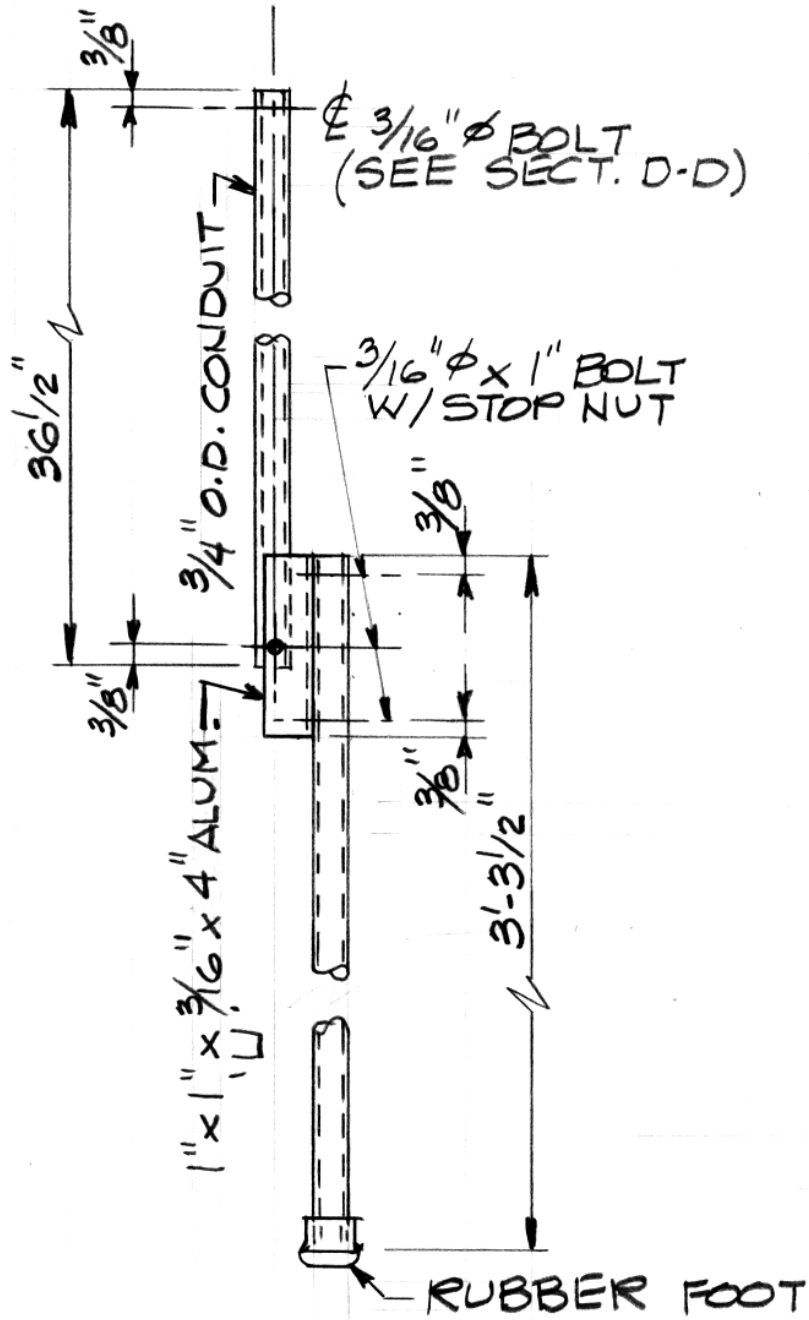
SECTION C-C
(2) PLACES



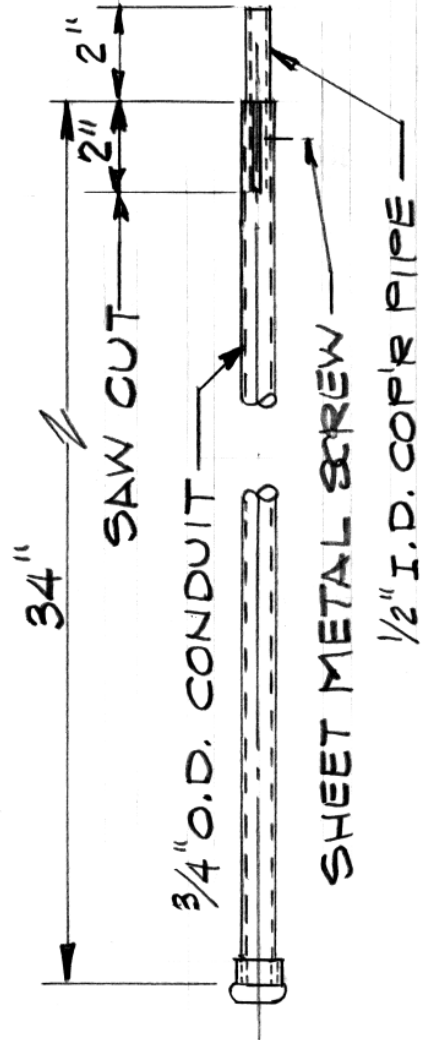
BLACK LIGHT DADO
(TYP. 2 PLACES)
VIEW E-E



SECTION D-D



DETAIL LEG 'A'
(1) REQ'D.



DETAIL LEG 'B'
(2) REQ'D.

Folding Board Construction Details



See view E-E on sheet 2



See section C-C on sheet 2 & rear elevation on sheet 1.

Leg B 7% angle



Leg connection - Option 1

See detail leg B on sheet 3



Leg connection - Option 2

OPTION 2 Leg Connection Details

See detail "Leg B" length on sheet 3 of the attached blueprint. Same length, no saw cut. Assemble 1/2" EMT compression fitting to conduit. Drill 1" hole 1 5/8" deep at same location for pipe sleeve at 7% angle. Insert 1/2" RGD conduit coupling.



See section D-D on sheet 2



See section B-B on sheet 2



See detail leg A on sheet 3



See detail leg A on sheet 3



See section B-B



See section C-C on sheet 2 & rear elevation on sheet 1



See rear elevation on sheet 1



See rear elevation on sheet 1



See detail leg A on sheet 3



See rear elevation on sheet 1



See view A-A on sheet 2



See section B-B on sheet 2

Note: When attaching this bracket to the board, be sure and use strong lock-tite on the bolt threads.